

UTSAVGIRI

EI - Reactor

FEATURES

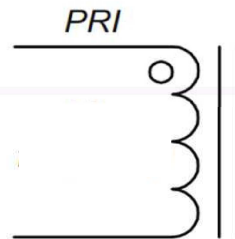
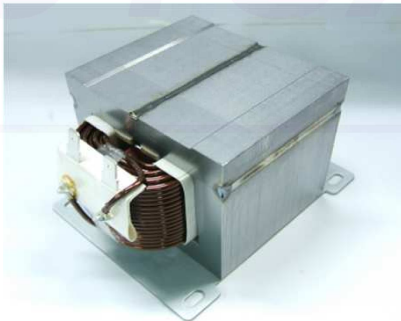
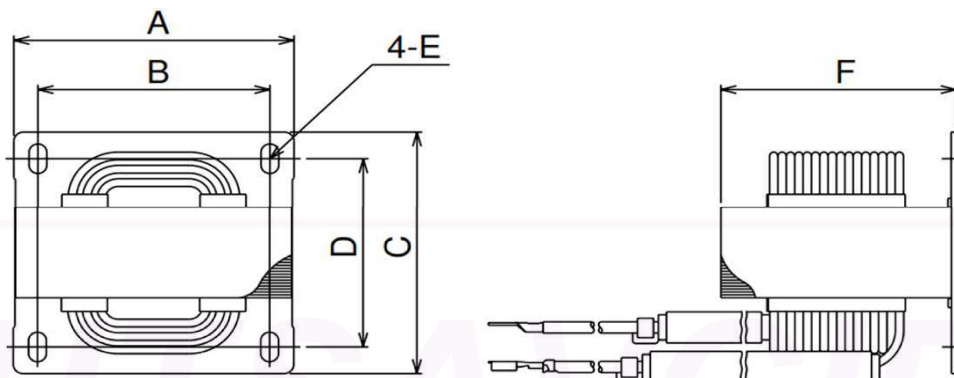
Noiseless
Dielectric strength: 2k Vrms
50/60 Hz Operating Frequency
RoHS Compliant



APPLICATIONS

Inverter Style Air Conditioning Systems
Inverter Style Refrigerators
Multi Function Copiers

OUTLINE DIMENSIONS



Type	A (mm)	B (mm)	C (mm)	D (mm)	E (mm)	F (mm)	Inductance
EI 66 Ra	68.0	54.0	70.0	50.0	6 X 8	57.5	5mH (8A)
EI 66 Rb	68.0	78.0	88.0	75.0	5.0	57.5	5mH (14A)
EI 76 R	78.0	64.0	80.0	63.0	6 x 10	70.0	5mH (14A)

Note:

Specified parameters are subject to change, without any notice.

Various Type available upon request.

UTSAVGIRI COMPUTERS & ELECTRONIC INDUSTRIES PVT. LTD.,

Type II/18, Dr.V.S.I. Estate, Thiruvanniyur, Chennai – 600 041, INDIA

Phone : +91-44-22541078,+91-44-22541265.

Email : utsavgiri@gmail.com